

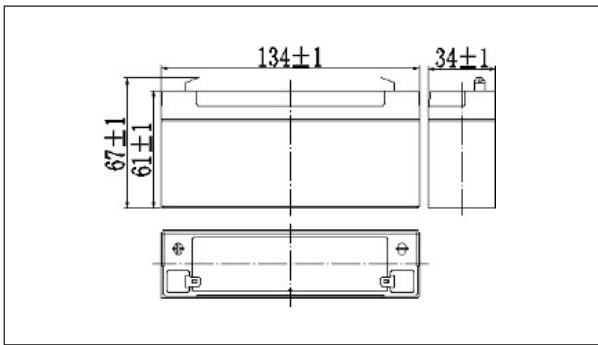
VMP

VP6-3.4 6V3.4Ah

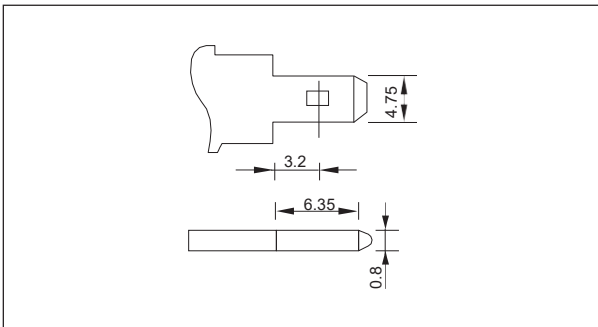
● Specification

| | | |
|-------------------------------|--------------|--------|
| Nominal Voltage | | 6V |
| Rated capacity (20 hour rate) | | 3.4Ah |
| Dimensions | Length | 134mm |
| | Width | 34mm |
| | Height | 61mm |
| | Total Height | 67mm |
| Approx. Weight | | 0.62kg |

● Outer dimension (mm)



● Terminal Type (mm)



● Construction

| Component | Positive plate | Negative plate | Container | Cover | Separator | Electrolyte | Safety valve | Terminal |
|--------------|----------------|----------------|-----------|-------|-----------|---------------|--------------|----------|
| Raw material | Lead dioxide | Lead | ABS | ABS | AGM | Sulfuric acid | Rubber | Copper |

● Constant Current Discharge Characteristic Unit:A(25°C)

| F.V/Time | 5min | 10min | 15min | 30min | 60min | 2h | 3h | 4h | 5h | 10h | 20h |
|----------|------|-------|-------|-------|-------|------|------|------|------|------|------|
| 4.80V | 12.2 | 7.74 | 6.05 | 3.41 | 2.10 | 1.15 | 0.79 | 0.66 | 0.56 | 0.30 | 0.16 |
| 4.95V | 11.9 | 7.51 | 5.90 | 3.34 | 2.06 | 1.14 | 0.79 | 0.65 | 0.55 | 0.30 | 0.16 |
| 5.10V | 11.4 | 7.20 | 5.69 | 3.24 | 2.01 | 1.13 | 0.78 | 0.65 | 0.55 | 0.30 | 0.16 |
| 5.25V | 10.9 | 6.89 | 5.49 | 3.16 | 1.97 | 1.11 | 0.78 | 0.64 | 0.55 | 0.30 | 0.16 |
| 5.40V | 10.3 | 6.50 | 5.20 | 3.04 | 1.91 | 1.08 | 0.75 | 0.62 | 0.53 | 0.29 | 0.16 |

● Constant Power Discharge Characteristic Unit:W(25°C)

| F.V/Time | 5min | 10min | 15min | 30min | 60min | 2h | 3h | 4h | 5h | 10h | 20h |
|----------|------|-------|-------|-------|-------|------|------|------|------|------|------|
| 4.80V | 68.2 | 43.7 | 34.5 | 19.5 | 12.1 | 6.71 | 4.71 | 3.91 | 3.33 | 1.82 | 0.97 |
| 4.95V | 66.2 | 42.4 | 33.6 | 19.1 | 12.0 | 6.67 | 4.68 | 3.88 | 3.31 | 1.81 | 0.97 |
| 5.10V | 63.4 | 40.6 | 32.4 | 18.6 | 11.7 | 6.61 | 4.65 | 3.86 | 3.29 | 1.80 | 0.97 |
| 5.25V | 60.7 | 38.9 | 31.3 | 18.1 | 11.4 | 6.51 | 4.62 | 3.83 | 3.27 | 1.79 | 0.96 |
| 5.40V | 57.3 | 36.7 | 29.6 | 17.4 | 11.1 | 6.34 | 4.48 | 3.72 | 3.17 | 1.76 | 0.94 |

Note: The above characteristics data can be obtained within three charge or discharge cycles.

VRLA BATTERY

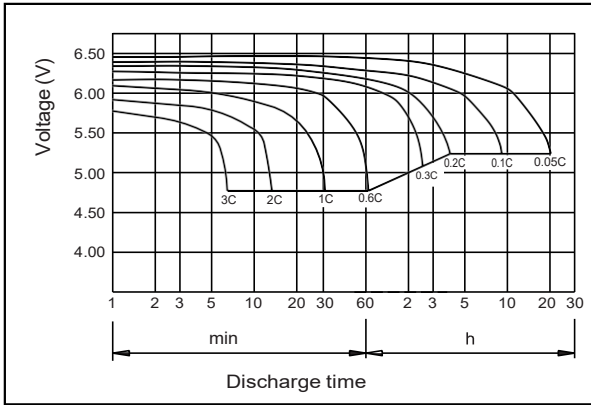


● Characteristic

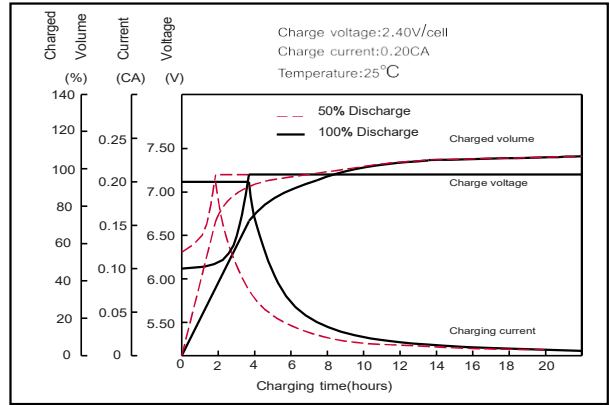
| | | |
|--|-------------|---|
| Capacity (25°C) | 20HR(3.50V) | 3.4Ah |
| | 10HR(3.50V) | 3.0Ah |
| | 1HR(3.20V) | 2.0Ah |
| Terminal type | | T1 (L) |
| Internal resistance (Fully charged,25°C) | | Approx.25m Ω |
| Capacity affected by temperature (20HR) | 40°C | 102% |
| | 25°C | 100% |
| | 0°C | 85% |
| | -15°C | 65% |
| Self-discharge (25°C) | 3month | Remaining Capacity:91% |
| | 6month | Remaining Capacity:82% |
| | 12month | Remaining Capacity:65% |
| Nominal operating temperature | | 25°C |
| Operating temperature range | Discharge | -15°C~50°C |
| | Charge | -10°C~50°C |
| | Storage | -20°C~50°C |
| Float charging voltage(25°C) | | 6.80 to 6.90V Temperature compensation: -9mV/°C |
| Cyclic charging voltage(25°C) | | 7.25 to 7.50V Temperature compensation: -15mV/°C |
| Maximum charging current | | 0.96A |
| Maximum discharge current | | 48A(5 sec.) |
| Designed floating life(20°C) | | 5 years |

VP6-3.4 6V3.4Ah

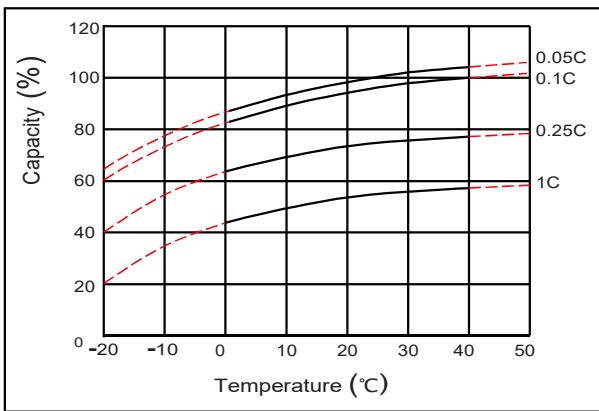
Discharge characteristics(25°C)



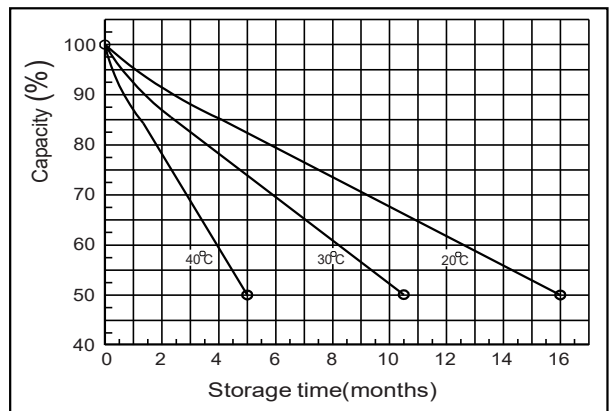
Charging characteristics (25°C)



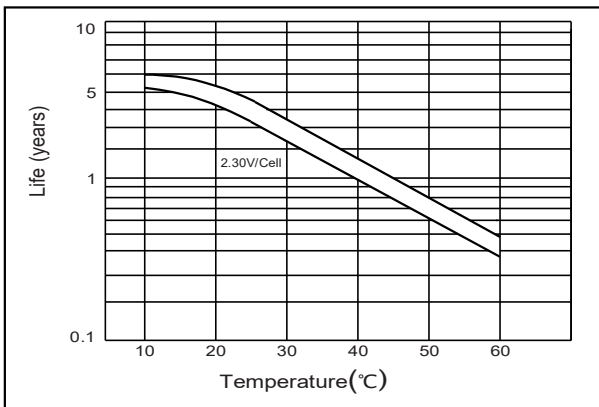
Effect of temperature on capacity



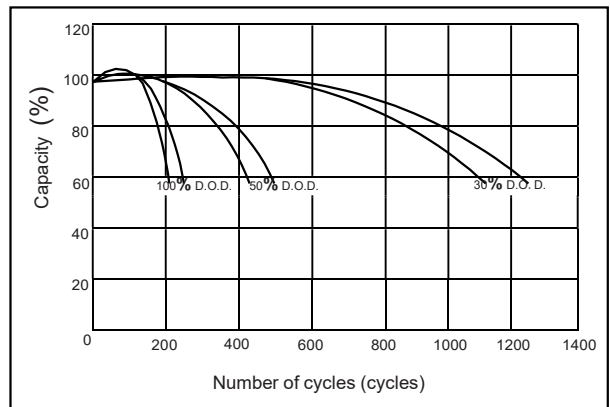
Self-discharge characteristics



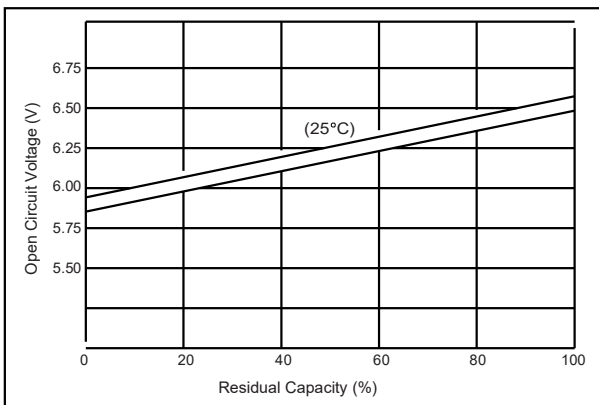
Floating life on temperature



Cycle life on D.O.D(25°C)



The relationship for OCV and Capacity (25°C)



The relationship for Charging voltage and Temperature

